



# Pax Chinook

Two-speed fan and boost function.  
Humidity sensor and overrun timer

Pax Chinook is a powerful exhaust fan suitable as reinforcement of exhaust air flow in wet rooms (WCs/bathrooms/showers/laundry rooms) where the natural draught is weak or absent. Approved for installation in wet areas (IP44). Thanks to the ball bearing motor the fan can be installed on walls or in ceilings.

The fan runs on a continuous low speed (50 m<sup>3</sup>/h) with the aim of creating constant air circulation. In addition the fan has a humidity control function that automatically forces the fan to high speed (120 m<sup>3</sup>/h) or to an optional boost speed (220 m<sup>3</sup>/h), whenever the moisture level exceeds the set value. Can also be installed in parallel for manual (pullcord or switch) changeover between the basic flow and maximum flow.

## Pax Chinook

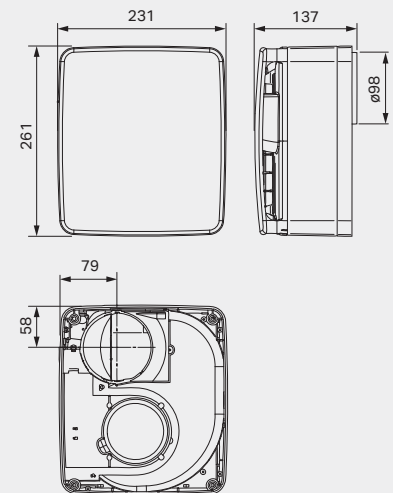
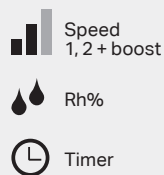
Item no. 1403-5  
E-no. 9302256  
RSK no. 8758126

## Functions

Two-speed + boost fan.  
– Humidity control  
– Low speed 50m<sup>3</sup>/h  
– High speed 120 m<sup>3</sup>/h  
– Boost speed 220 m<sup>3</sup>/h (option)  
– Manually via switch or pullcord

## Installation

Fits in own separate duct Ø100  
– with natural draught ventilation (ceiling).  
– without natural draught ventilation (external wall).  
Use back-draught shutter



## Technical data

Capacity:  
Maximum pressure:  
Power consumption:  
Sound pressure level:

## Low speed

50 m<sup>3</sup>/h  
20 Pa  
10W  
21 dB(A) 3m

## High speed

120 m<sup>3</sup>/h  
115 Pa  
40W  
38 dB(A) 3m

## Boost

220 m<sup>3</sup>/h  
190 Pa  
55W  
52 dB(A) 3m

Motor type:  
Voltage/Frequency:  
Enclosure class:  
Isolation class:  
Labels:  
Duct dimension:  
Installation:

Ball bearing  
230V AC, 50Hz  
IPX4  
□ (Class II), must not be earthed  
CE  
Ø100  
Qualified technician

5

års garanti  
year warranty