

PAX<sup>®</sup>

A towel warmer  
for every room



2022



Pair us!

# A towel warmer adds a touch of elegance to your everyday life

Sit back and be inspired by our extensive range of towel warmers. A towel warmer helps you add a touch of elegance to your everyday life, and is perfect for your bathroom, kitchen or even your hallway.

**Discover our new** Black Edition-serie, black towel warmers with matt finish. The new serie is available in the popular electrical models Flex U, Flex I and Limbo.

Momento II™ is our updated and unique timer, which gives you the option to control your towel warmer with the Pax Wireless app.

While you carry on browsing and thinking about how to update your home, we continue to work on innovative models and smart solutions to simplify and add luxury to your everyday life.



# Combi warmers

for electric heating, central heating or combined

Both the electric element with Momento II™ timer and radiator valve are sold separately.

**12 Viola**



**14 Mandolin**



**16 Saz**



**18 Lyra**



**19 Nice**



**20 Tamburin**



**21 Cello**



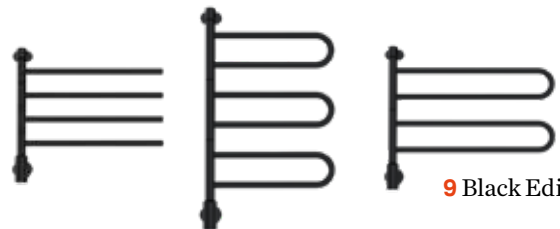
**22 Climb**



**23 Positiv**








## Black Edition



**9 Black Edition**

### Symbol guide

-  Combi warmer
-  Electric towel warmer
-  Momento II™
-  Pivoting 180°
-  Black Edition

## Tillval och tillbehör



**6** Momento II™  
Unique app-controlled timer.

**8** Norte bathroom fan

**48** Electric elements  
Radiator valve



# Electric

## towel warmers

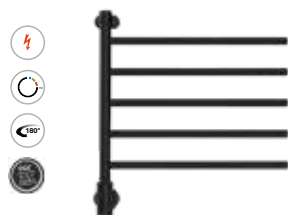
Heated by electric heating cable



**26 Limbo** with Momento II™



**28 Flex I** with optional Momento II™



**30 Flex U** with optional Momento II™



**32 Velvet** on/off, with optional LED lighting



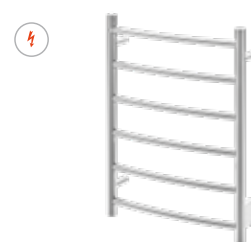
**34 Jazz** with Momento II™



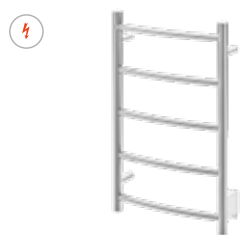
**36 Blues** with Momento II™



**38 Salsa** with optional timer



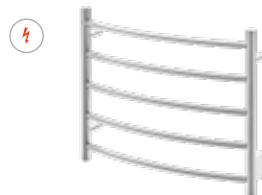
**38 Samba** with optional timer



**38 Tango** with optional timer



**40 Mambo** on/off



**41 Practic** with optional Momento II™



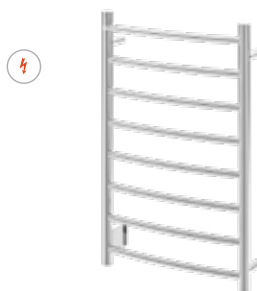
**42 TR-i** with Momento II™



**44 TR-serien** on/off



**46 Foxtrot** with optional timer



**Note** For all warmers: Stated dimensions may vary. Never drill holes in the wall without first checking the dimensions of your actual towel warmer. Pax accepts no liability for holes that have been drilled without following the installation instructions.





Unique timer with  
exclusive features  
**Momento II™**

- Multiple different power levels
- Available for both electrical and combined towel warmers
- Manufactured in Sweden
- Weekly programs with time intervals via the app
- Saves both energy and money without sacrificing comfort and function
- Pair with Pax Norte bathroom fan for unique opportunities.

# Momento II™

– unique timer with app control feature and power levels

**With Pax Momento II™, your towel warmer is only running when you need it to be, so you can easily lower your electricity bill without compromising on everyday luxury.**

Momento II™ comes with dozens of smart features that allow you to save energy, improve your indoor climate and simplify your everyday life.

You can choose to control your towel warmer manually or via the app Pax Wireless for more functions. Momento II™ gives you full control over when you want your towel warmer to be on.

With the app, you can also set multiple different power levels. This allows you to optimize the use of your towel warmer as it is only running when you need it to be.

If you have a Pax Norte bathroom fan in the same bathroom as your towel warmer, you can pair them so the towel warmer switches on automatically when the fan's humidity sensor detects an increased humidity level, for example when you start showering.



The light is turned off when the towel warmer is off.



A red light means that the towel warmer is warm.



A blue light is illuminated when pairing with a mobile phone via Bluetooth.

The Pax Wireless app can be downloaded from the App Store or Google Play. See [pax.se](http://pax.se) for more information about Momento II™.



## WallFix™

– the smart coupling housing

All Pax towel warmers with Momento II™ are equipped with WallFix™, a smart separate coupling housing with plenty of space to make wiring and installing your towel warmer quick, smooth and straightforward.



1. Screw the coupling housing onto the wall.
2. Connect the wiring.
3. Dock the towel warmer and mount the other wall brackets.

Done!

# Pax Norte

– innovation in every detail

Pax Norte® is a multifunctional bathroom fan that is ready to use straight after connection to the mains. In its standard configuration, the Norte reacts to both moisture and light completely automatically, at three speed levels. Pax Norte® Is available in white and matt black design.

If you want more features and to get more use out of your fan, you can download Pax's smart Pax Wireless app. Using the app, you can also configure heat transfer, boost mode, constant flow and ventilation functions for your fan.

Through the app, the fan can also be paired with all our towel warmers equipped with Pax's new Momento II™ timer so the Norte can switch the towel warmer on automatically when the humidity level in the room increases.



Fully automatic fan with app control feature.







# Towel warmers in Black Edition

We are now expanding our range of towel warmers with a **Black Edition-serie**.

The new serie is available in the popular electrical models Flex U, Flex I and Limbo.



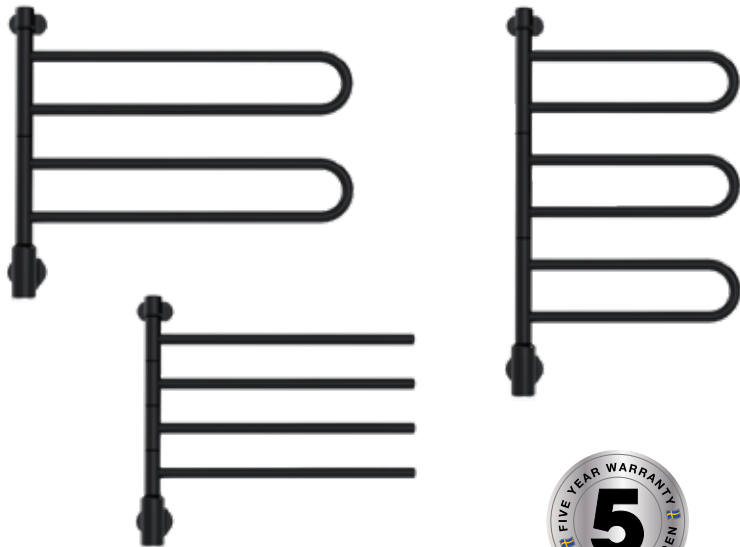
The black colour with matt finish gives an elegant look and fits both modern and classic decor.

The new design serie is suitable in the bathroom as well as in the rest of the home, for example kitchen, hallway or why not in the bedroom?

### Momento II™ - unique timer with app control feature

All Pax towel warmers in the new Black Edition-serie are equipped with our unique timer - Momento II™.

Momento II™ comes with dozens of smart features which allows you to save energy, improve your indoor climate and simplify your everyday life.



Item no.	Model	Material	Output	Width, mm	Height, mm
3551-3	Limbo, black, Momento II™	Stainless steel	24 W	50	1400
26-2020	Flex I 2/550, pivoting, black, Momento II™	Steel, lacquered	20 W	560	330
26-2021	Flex I 3/550, pivoting, black, Momento II™	Steel, lacquered	30 W	560	420
26-2022	Flex I 4/550, pivoting, black, Momento II™	Steel, lacquered	40 W	560	510
26-2023	Flex I 5/550, pivoting, black, Momento II™	Steel, lacquered	50 W	560	600
26-1030	Flex U 2/450, pivoting, black, Momento II™	Steel, lacquered	28 W	455	560
26-1031	Flex U 3/450, pivoting, black, Momento II™	Steel, lacquered	41 W	455	760
26-1040	Flex U 2/650, pivoting, black, Momento II™	Steel, lacquered	43 W	655	560
26-1041	Flex U 3/650, pivoting, black, Momento II™	Steel, lacquered	64 W	655	760



# Combined warmers

– for electric heating,  
water-heating or combined

Pax combi warmers are filled with water on installation, and are either heated with a Pax electric element with the unique Momento II™ timer and/or by connecting to your existing closed heating system via radiator valve.

Pax combi warmers are pressure tested up to 10 Bar, our models are designed and manufactured to be installed in a closed heating system. Do not use our combi warmers in hot water tap systems.

If you install both an electric element and a radiator valve, you can use your towel warmer even when the closed heating system is turned off. That way, condensation and damp are kept at bay even in warm summers.

Both the electric element with Momento II™ timer and radiator valve are sold separately.







# Viola

– a towel warmer that makes a powerful statement

Viola is perfect for bathrooms that need a towel warmer that looks good. Square side tubes and round horizontal tubes in polished stainless steel.

## Combined warmer

Heat type	Water-filled. Heated by Pax electric element and/or existing closed heating system.
Width	550 mm
Height	1200 mm
Finish	Gloss
Material	Stainless steel
Connection point	Bottom, right/left

## Supplied

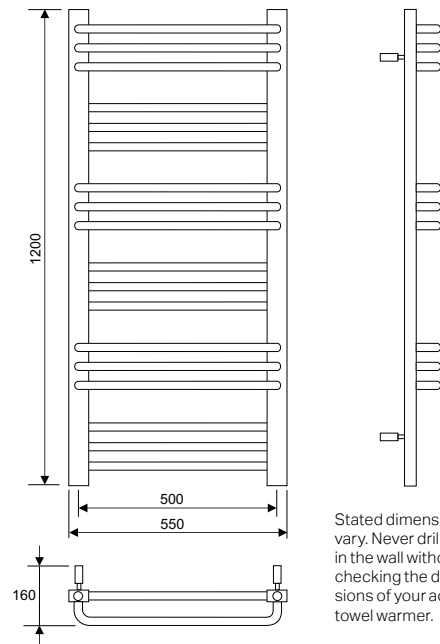
Unfilled with hanging fixtures, screws, plugs, blind plugs and airing valve.

## Also required (see page 48)

- Pax electric element with Momento II™ timer. 175 W power. Half-inch thread and/or
- Radiator valve

## Accessories

- 8340-5 Cable and plug for connection to mains socket.



Stated dimensions may vary. Never drill holes in the wall without first checking the dimensions of your actual towel warmer.



Item no.	Model	Material	Working pressure	Output *	Width, mm	Height, mm
24-4307	Viola 550×1200	Stainless steel	10 bar	175 W	550	1200

\* Refers to power with electric element, see page 48





Item no.	Model	Material	Working pressure	Output *	Width, mm	Height, mm
24-4206	Mandolin 3, 250×1400	Stainless steel	10 bar	175 W	250	1400
24-4207	Mandolin 4, 350×1400	Stainless steel	10 bar	225 W	350	1400

\* Refers to power with electric element, see page 48

# Mandolin

– looks great in the kitchen,  
hallway, bathroom and  
bedroom

Mandolin is an exclusive towel warmer with rectangular poles. Each pole is fitted with a hook for you to hang your hand towel, dressing gown or bath towel on.

Mandolin also functions perfectly as an attractive and unusual radiator, and suits any room you put it in. If you choose to have it in the kitchen, you will not only give the room a luxurious feel, but you will also have a perfect place to hang your kitchen towels too.

## Combined warmer

Heat type	Water-filled. Heated by Pax electric element and/or existing closed heating system.
Width	250 or 350 mm
Height	1400 mm
Finish	Gloss
Material	Stainless steel
Connection point	Bottom, right/left.

## Supplied

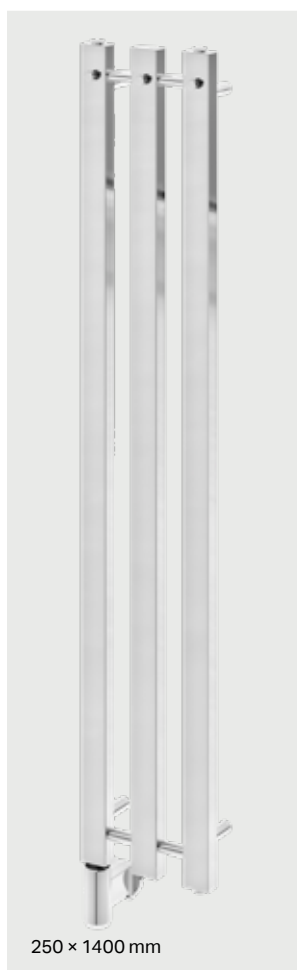
Unfilled with hanging fixtures, screws,  
plugs, blind plugs and airing valve.

## Also required (see page 48)

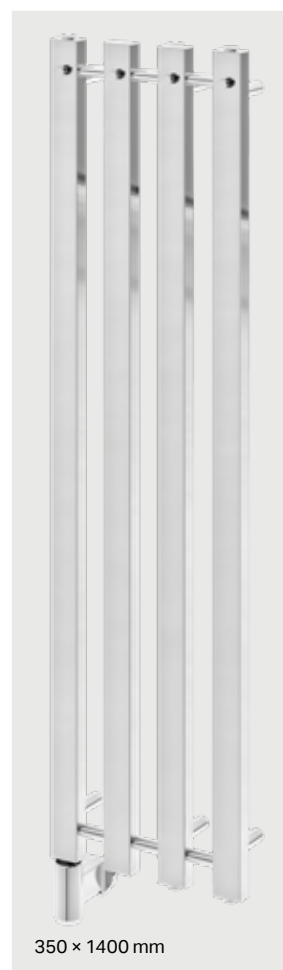
- Pax electric element with Momento II™ timer.  
175–225 W power, depending on size.  
Half-inch thread  
and/or
- Radiator valve

## Accessories

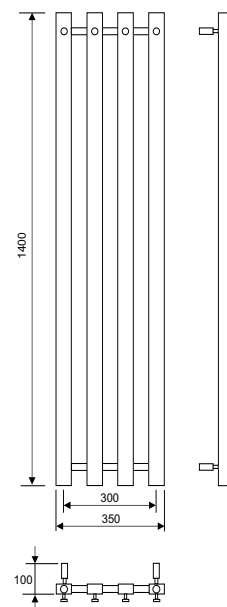
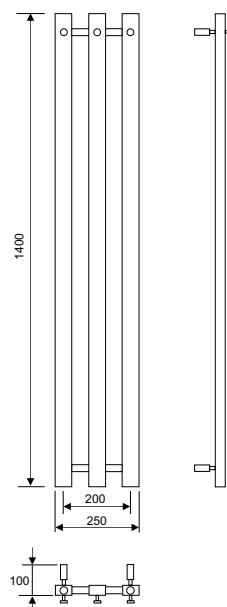
- 8340-5 Cable and plug for connection to  
mains socket.



250 × 1400 mm



350 × 1400 mm



Stated dimensions  
may vary. Never  
drill holes in the wall  
without first check-  
ing the dimensions  
of your actual towel  
warmer.

# Saz

– unique form with a spa feeling

Saz has a totally unique design. The combination of the gently-formed curves and clean lines means Saz is a towel warmer that will enhance the elegance of your bathroom.



## Combined warmer

Heat type Water-filled.  
Heated by Pax electric element and/or existing closed heating system.

Width 370 mm  
Height 1500 mm  
Finish Gloss  
Material Stainless steel  
Connection point Bottom, right/left.

## Supplied

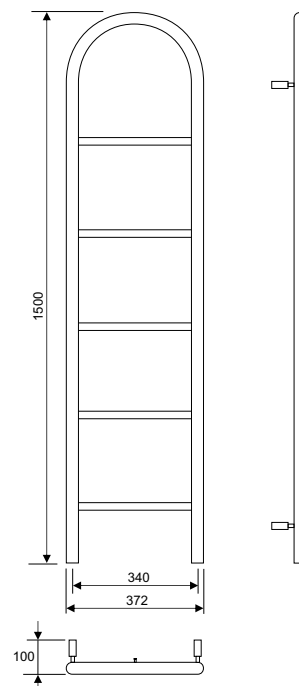
Unfilled with hanging fixtures, screws, plugs, blind plugs and airing valve.

## Also required (see page 48)

- Pax electric element with Momento II™ timer. 100 W power. Half-inch thread and/or
- Radiator valve

## Accessories

8340-5 Cable and plug for connection to mains socket.



Stated dimensions may vary. Never drill holes in the wall without first checking the dimensions of your actual towel warmer.



Item no.	Model	Material	Working pressure	Output *	Width, mm	Height, mm
24-4401	Saz 370x1500	Stainless steel	10 bar	100 W	370	1500

\* Refers to power with electric element, see page 48

# Lyra

– practical and stylish

With stainless steel square tubes. Lyra has an unmistakable and modern look with generous spacing.



## Combined warmer

**Heat type** Water-filled.  
Heated by Pax electric element and/or existing closed heating system.

**Width** 500  
**Height** 800 or 1200 mm  
**Finish** Gloss  
**Material** Stainless steel  
**Connection point** Bottom, right/left.

## Supplied

Unfilled with hanging fixtures, screws, plugs, blind plugs and airing valve.

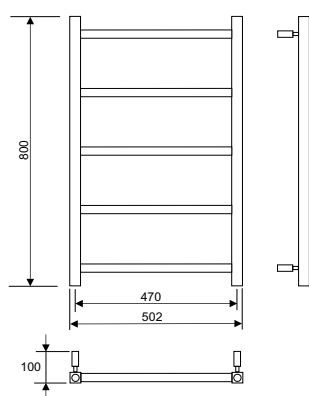
## Also required

 (see page 48)

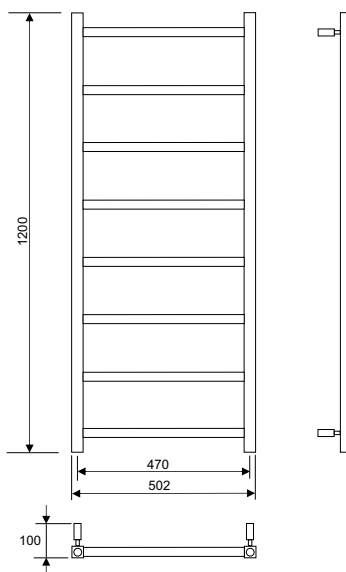
- Pax electric element with Momento II™ timer. 75–125 W power, depending on size. Half-inch thread and/or
- Radiator valve

## Accessories

8340-5 Cable and plug for connection to mains socket.



Stated dimensions may vary. Never drill holes in the wall without first checking the dimensions of your actual towel warmer.



Item no.	Model	Material	Working pressure	Output *	Width, mm	Height, mm
24-4008	Lyra 500×800	Stainless steel	10 bar	75 W	500	800
24-4009	Lyra 500×1200	Stainless steel	10 bar	125 W	500	1200

\* Refers to power with electric element, see page 48



# Nice

## – lightweight ladder with round tubes

Nice is a classic model. It is lightweight thanks to its simple and stylish design in a practical format. Nice fits in just as well in summer cottages as in urban bathrooms.



### Combined warmer

Heat type	Water-filled. Heated by Pax electric element and/or existing closed heating system.
Width	500 mm
Height	1000 mm
Finish	Chrome
Material	Steel
Connection point	Bottom, right/left.

### Supplied

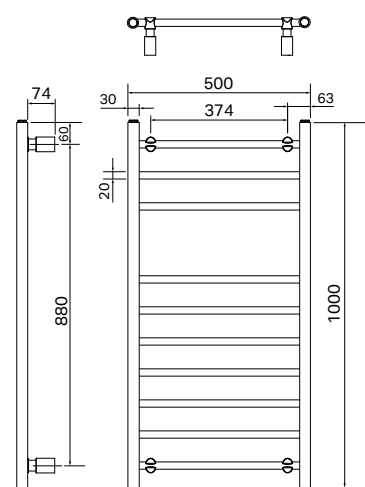
Unfilled with hanging fixtures, screws,  
plugs, blind plugs and airing valve.

### Also required (see page 48)

- Pax electric element with Momento II™ timer.  
150 W power. Half-inch thread  
and/or
- Radiator valve

### Accessories

- |        |   |
|--------|---|
| 8340-5 | Cable and plug for connection to<br>mains socket. |
|--------|---|



Stated dimensions  
may vary. Never  
drill holes in the wall  
without first check-  
ing the dimensions  
of your actual towel  
warmer.

Item no.	Model	Material	Working pressure	Output *	Width, mm	Height, mm
0500/1000/RRC	Nice 500×1000	Steel, chrome	10 bar	150 W	500	1000

\* Refers to power with electric element, see page 48

# Tamburin

– plenty of space for all your family's towels

Tamburin has round tubes for a soft look. The well-balanced spacing between the straight tubes makes space for plenty of towels.



## Combined warmer

Heat type Water-filled.  
Heated by Pax electric element and/or existing closed heating system.  
Width 500 mm  
Height 800 or 1200 mm  
Finish Gloss  
Material Stainless steel  
Connection point Bottom, right/left.

## Supplied

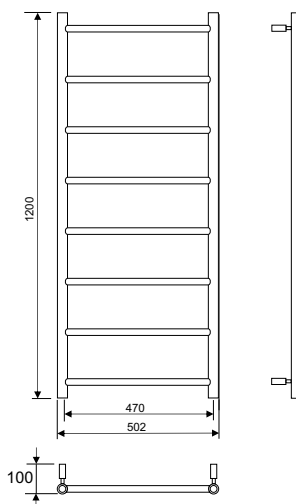
Unfilled with hanging fixtures, screws, plugs, blind plugs and airing valve.

## Also required (see page 48)

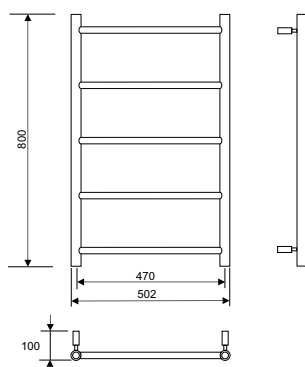
- Pax electric element with Momento II™ timer. 75–125 W power, depending on size. Half-inch thread and/or
- Radiator valve

## Accessories

- 8340-5 Cable and plug for connection to mains socket.



Stated dimensions may vary. Never drill holes in the wall without first checking the dimensions of your actual towel warmer.



Item no.	Model	Material	Working pressure	Output *	Width, mm	Height, mm
24-4018	Tamburin 500×800	Stainless steel	10 bar	75 W	500	800
24-4019	Tamburin 500×1200	Stainless steel	10 bar	125 W	500	1200

\* Refers to power with electric element, see page 48

# Cello

– elegant with gently curved tubes

Cello has round, curved tubes in smart sections for extra-high drying power.



## Combined warmer

**Heat type** Water-filled.  
Heated by Pax electric element and/or existing closed heating system.

**Width** 530 mm  
**Height** 700 or 1000 mm  
**Finish** Gloss  
**Material** Stainless steel  
**Connection point** Bottom, right/left.

## Supplied

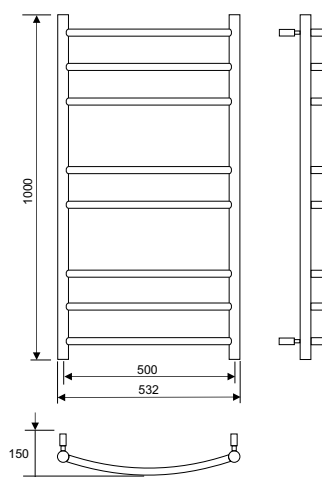
Unfilled with hanging fixtures, screws, plugs, blind plugs and airing valve.

## Also required (see page 48)

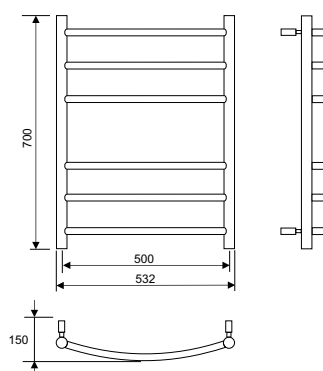
- Pax electric element with Momento II™ timer. 75–125 W power, depending on size.
- Half-inch thread and/or
- Radiator valve

## Accessories

- 8340-5 Cable and plug for connection to mains socket.



Stated dimensions may vary. Never drill holes in the wall without first checking the dimensions of your actual towel warmer.



Item no.	Model	Material	Working pressure	Output *	Width, mm	Height, mm
24-4700	Cello 530×700	Stainless steel	10 bar	75 W	530	700
24-4701	Cello 530×1000	Stainless steel	10 bar	125 W	530	1000

\* Refers to power with electric element, see page 48

# Climb

## – classic ladder model

Climb is a combi warmer in a classic ladder design, with plenty of gently rounded cross-tubes. Available in chrome or white as standard.

### Combined warmer

Heat type	Water-filled. Heated by Pax electric element and/or existing closed heating system.
Width	500 mm
Height	1000 or 1400 mm
Finish	Chrome or lacquer white tubes
Material	Steel
Connection point	Bottom, right/left.

### Supplied

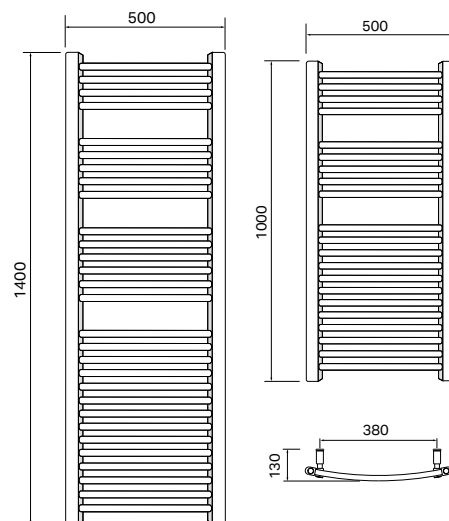
Unfilled with hanging fixtures, screws, plugs, blind plugs and airing valve.

### Also required (see page 48)

- Pax electric element with Momento II™ timer. 175–250 W power, depending on size. Half-inch thread and/or
- Radiator valve

### Accessories

- 8340-5 Cable and plug for connection to mains socket.



Stated dimensions may vary. Never drill holes in the wall without first checking the dimensions of your actual towel warmer.



Item no.	Model	Material	Working pressure	Output *	Width, mm	Height, mm
24-5206	Climb 500×1000, chrome	Steel, chrome	10 bar	175 W	500	1000
24-5202	Climb 500×1000, white	Steel, chrome	10 bar	175 W	500	1000
24-5204	Climb 500×1400, chrome	Steel, chrome	10 bar	250 W	500	1400
24-5200	Climb 500×1400, white	Steel, chrome	10 bar	250 W	500	1400

\* Refers to power with electric element, see page 48

# Positiv

– round tubes  
in smart sections

Positiv has round and straight tubes in smart sections for extra-high drying power.

### Combi ed warmer

Heat type Water-filled.  
Heated by Pax electric element and/or existing closed heating system.

Width 530 mm  
Height 700 or 1000 mm  
Finish Gloss  
Material Stainless steel  
Connection point Bottom, right/left.

### Supplied

Unfilled with hanging fixtures, screws, plugs, blind plugs and airing valve.

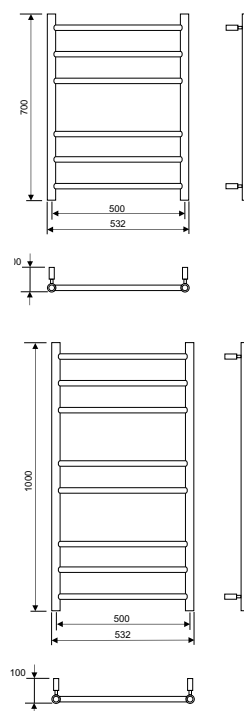
### Also required

 (see page 48)

- Pax electric element with Momento II™ timer. 75–125 W power, depending on size. Half-inch thread and/or
- Radiator valve

### Accessories

8340-5 Cable and plug for connection to mains socket.



Stated dimensions may vary. Never drill holes in the wall without first checking the dimensions of your actual towel warmer.

Item no.	Model	Material	Working pressure	Output *	Width, mm	Height, mm
24-4600	Positiv 530×700	Stainless steel	10 bar	75 W	530	700
24-4601	Positiv 530×1000	Stainless steel	10 bar	125 W	530	1000

\* Refers to power with electric element, see page 48





# Electric towel warmers

Pax electric towel warmers are heated with an energy-efficient double-insulated heating cable. Many of our models are available as standard with Momento II™, a timer with a unique memory function which allows you to save up to 75 per cent on energy consumption without compromising on comfort. Read more about Momento II™ on pages 6–7. All electric warmers are S marked and IP44 rated.





# Limbo

– lightweight and compact

Limbo is an electric towel warmer with a slim, discreet design. The warmer measures just 5×140 cm, which makes it easily positionable.

#### Electric towel warmer

Heat type Electric heating cable.  
Power 24 W  
Width 50 mm  
Height 1400 mm

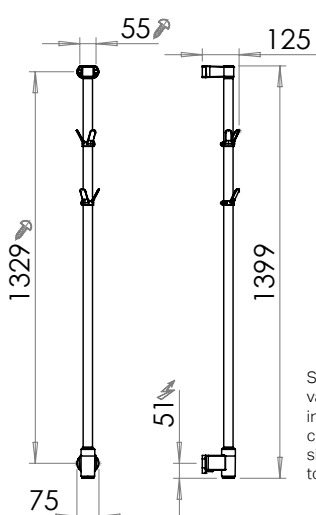
Finish Polished or lacquered  
Material Stainless steel or steel  
Mains connection Bottom. Hidden, fixed connection.

#### Variants



With Momento II™ timer.

#### Accessories

8340-5 Cable and plug for connection to mains socket.



Item no.	Model	Material	Output	Width, mm	Height, mm
3551-1	Limbo, Momento II™	Stainless steel	24 W	50	1400
3551-2	Limbo, white, Momento II™	Steel, lacquered	24 W	50	1400
3551-3	Limbo, black, Momento II™	Steel, lacquered	24 W	50	1400

230 V AC 50 Hz, Class II (double-insulated, earthing not required) IP44  



# Flex I

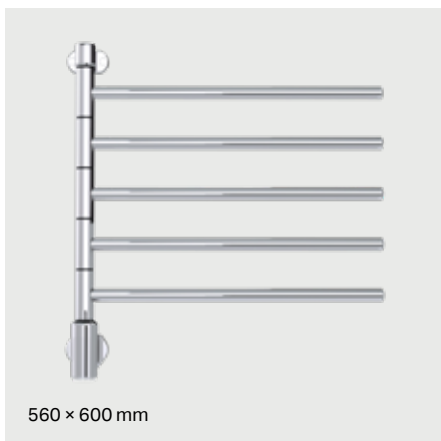
– pivoting arms  
in a small area

with optional Memento II™

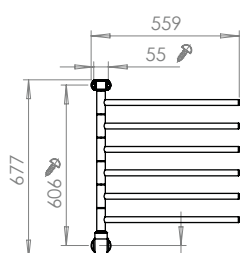
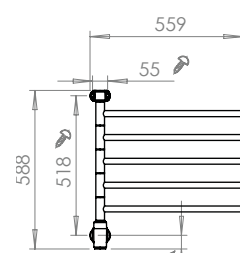
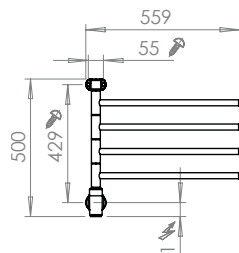
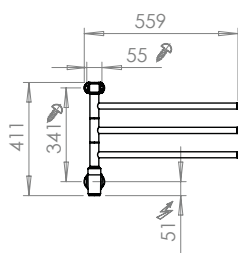
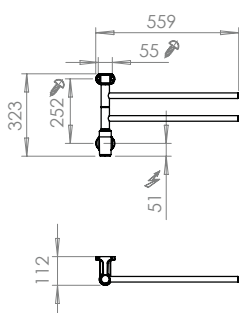
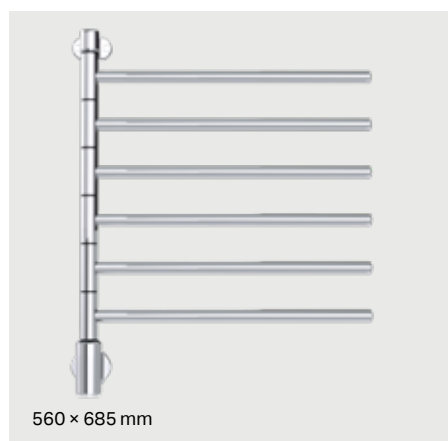


Flex I has individually pivoting arms that you can move as you wish, either to maximise your drying capability or to make Flex I as compact as possible. The tubes are straight, which makes it easy to hang up and take down your towels.

You can order your Flex I in several configurations. Choose anything from two to six individually pivoting arms to 180°, meaning you can have it set both on the right and left.



Electric towel warmer	
Heat type	Electric heating cable.
Power	20–60 W
Width	560 mm
Height	Flex I 2 arm      330 mm Flex I 3 arm      420 mm Flex I 4 arm      510 mm Flex I 5 arm      600 mm Flex I 6 arm      685 mm
Finish	Polished or lacquered
Material	Stainless steel or steel
Mains connection	Bottom. Hidden, fixed connection. Right or left configured.
Features	Individually pivoting arms to 180°.
<b>Variants</b> With optional Memento II™ timer.	
<b>Accessories</b> 8340-5      Cable and plug for connection to mains socket.	





Stated dimensions may vary. Never drill holes in the wall without first checking the dimensions of your actual towel warmer.





Item no.	Model	Material	Output	Width, mm	Height, mm
26-2010	Flex I 2/550, pivoting Momento II™	Stainless steel	20 W	560	330
26-2015	Flex I 2/550, pivoting	Stainless steel	20 W	560	330
26-2020	Flex I 2/550, pivoting, black, Momento II™	Steel, lacquered	20 W	560	330
26-2011	Flex I 3/550, pivoting Momento II™	Stainless steel	30 W	560	420
26-2016	Flex I 3/550, pivoting	Stainless steel	30 W	560	420
26-2021	Flex I 3/550, pivoting, black, Momento II™	Steel, lacquered	30 W	560	420
26-2012	Flex I 4/550, pivoting Momento II™	Stainless steel	40 W	560	510
26-2017	Flex I 4/550, pivoting	Stainless steel	40 W	560	510
26-2022	Flex I 4/550, pivoting, black, Momento II™	Steel, lacquered	40 W	560	510
26-2013	Flex I 5/550, pivoting Momento II™	Stainless steel	50 W	560	600
26-2018	Flex I 5/550, pivoting	Stainless steel	50 W	560	600
26-2023	Flex I 5/550, pivoting, black, Momento II™	Steel, lacquered	50 W	560	600
26-2014	Flex I 6/550, pivoting Momento II™	Stainless steel	60 W	560	685
26-2019	Flex I 6/550, pivoting	Stainless steel	60 W	560	685

230 V AC 50 Hz, Class II (double-insulated, earthing not required) IP44  

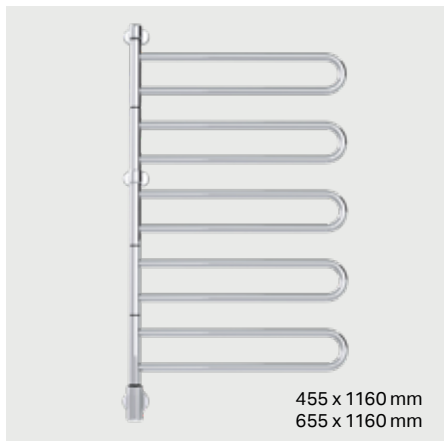
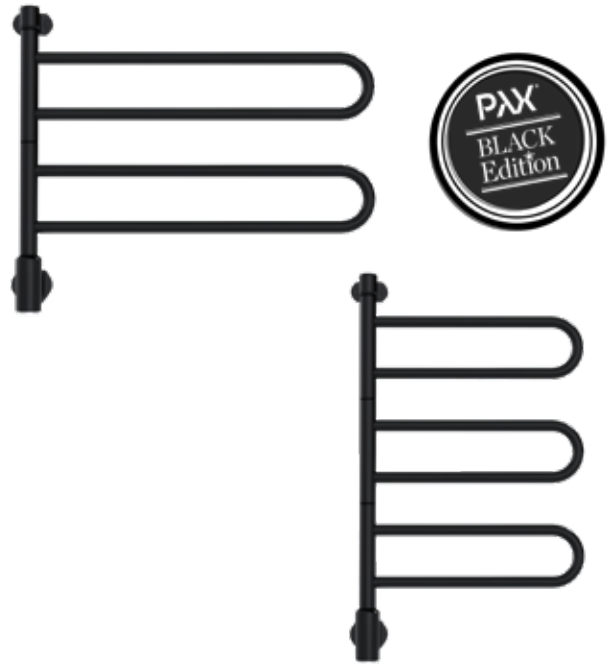
# Flex U

– easy to reconfigure

with optional Memento II™

Flex U has excellent drying capabilities. The individually pivoting U-shaped arms allow towels to hang freely in the air when needed.

With Flex U, there are plenty of possibilities. Choose from two widths: 455 or 655 mm, and the number of arms: between two and five. Each U-shaped arm is individually pivoting to 180°, which means that you can mount the towel warmer to both the right and the left.



### Electric towel warmer

Heat type	Electric heating cable.	
Power	28–106 W	
Width	455 or 655 mm	
Height	Flex U 2 arm	560 mm
	Flex U 3 arm	760 mm
	Flex U 4 arm	960 mm
	Flex U 5 arm	1160 mm

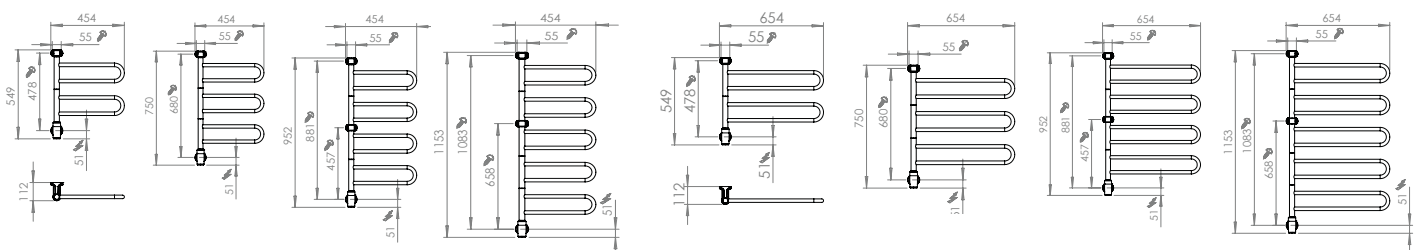
Finish	Polished or lacquered
Material	stainless steel or steel
Mains connection	Bottom. Hidden, fixed connection. Right or left configured.
Features	Individually pivoting arms to 180°.

### Variants

With optional Memento II™ timer.

### Accessories

8340-5 Cable and plug for connection to mains socket.



Stated dimensions may vary. Never drill holes in the wall without first checking the dimensions of your actual towel warmer.



Item no.	Model	Material	Output	Width, mm	Height, mm
26-1010	Flex U 2/450, pivoting Momento II™	Stainless steel	28 W	455	560
26-1014	Flex U 2/450, pivoting	Stainless steel	28 W	455	560
26-1030	Flex U 2/450, pivoting, black, Momento II™	Steel, lacquered	28 W	455	560
26-1011	Flex U 3/450, pivoting Momento II™	Stainless steel	41 W	455	760
26-1015	Flex U 3/450, pivoting	Stainless steel	41 W	455	760
26-1031	Flex U 3/450, pivoting, black, Momento II™	Steel, lacquered	41 W	455	760
26-1012	Flex U 4/450, pivoting Momento II™	Stainless steel	55 W	455	960
26-1016	Flex U 4/450, pivoting	Stainless steel	55 W	455	960
26-1013	Flex U 5/450, pivoting Momento II™	Stainless steel	69 W	455	1160
26-1017	Flex U 5/450, pivoting	Stainless steel	69 W	455	1160
26-1020	Flex U 2/650, pivoting Momento II™	Stainless steel	43 W	655	560
26-1024	Flex U 2/650, pivoting	Stainless steel	43 W	655	560
26-1040	Flex U 2/650, pivoting, black, Momento II™	Steel, lacquered	43 W	655	560
26-1021	Flex U 3/650, pivoting Momento II™	Stainless steel	64 W	655	760
26-1025	Flex U 3/650, pivoting	Stainless steel	64 W	655	760
26-1041	Flex U 3/650, pivoting, black, Momento II™	Steel, lacquered	64 W	655	760
26-1022	Flex U 4/650, pivoting Momento II™	Stainless steel	85 W	655	960
26-1026	Flex U 4/650, pivoting	Stainless steel	85 W	655	960
26-1023	Flex U 5/650, pivoting Momento II™	Stainless steel	106 W	655	1160
26-1027	Flex U 5/650, pivoting	Stainless steel	106 W	655	1160

# Velvet

– unique designer warmer, with optional LED lighting

Velvet is a designer towel warmer with a softly curved profile in aluminium.

Velvet is available with discreet LED lighting which accentuates its unique forms. At night, it transforms into a practical nightlight. Velvet is available in four standard colours: silver, champagne, black and glossy white.



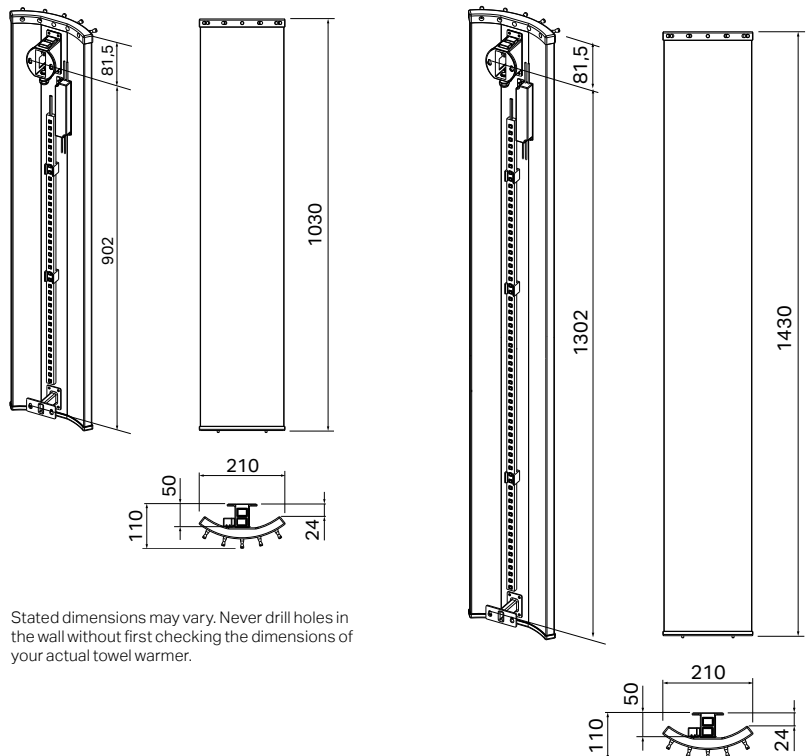
## Electric towel warmer

Heat type Electric heating cable.  
 Power 85–115 W  
 Width 210 mm  
 Height 1030 or 1430 mm  
 Finish Silver, champagne, black or glossy white.

Material Aluminium  
 Supplied Complete with mounted cable with plug or without plug for warmers with LED lighting.

## Variants

Optional LED lighting.



Stated dimensions may vary. Never drill holes in the wall without first checking the dimensions of your actual towel warmer.







Item no.	Model	Material	Output	Width, mm	Height, mm
22-3501	Velvet 1030 silver	Aluminium	85 W	210	1030
22-3502	Velvet 1030 silver, LED strip	Aluminium	85 W	210	1030
22-3503	Velvet 1030 black	Aluminium	85 W	210	1030
22-3504	Velvet 1030 black, LED strip	Aluminium	85 W	210	1030
22-3505	Velvet 1030 champagne	Aluminium	85 W	210	1030
22-3506	Velvet 1030 champagne, LED strip	Aluminium	85 W	210	1030
22-3529	Velvet 1030 glossy white	Aluminium	85 W	210	1030
22-3528	Velvet 1030 glossy white, LED strip	Aluminium	85 W	210	1030
22-3507	Velvet 1430 silver	Aluminium	115 W	210	1430
22-3508	Velvet 1430 silver, LED strip	Aluminium	115 W	210	1430
22-3509	Velvet 1430 black	Aluminium	115 W	210	1430
22-3510	Velvet 1430 black, LED strip	Aluminium	115 W	210	1430
22-3511	Velvet 1430 champagne	Aluminium	115 W	210	1430
22-3512	Velvet 1430 champagne, LED strip	Aluminium	115 W	210	1430
22-3530	Velvet 1430 glossy white	Aluminium	115 W	210	1430
22-3527	Velvet 1430 glossy white, LED strip	Aluminium	115 W	210	1430



# Jazz

– stylish shape  
with round straight  
tubes

Flexible model – choose from two widths and three different heights. Can be wall mounted with Momento II™ on the bottom corner on the left or right side.



550 x 710 mm



700 x 710 mm

## Electric towel warmer

Heat type	Electric heating cable.	
Power	40–110 W	
Width	550 or 700 mm	
Height	Jazz/4	710 mm
	Jazz/6	1030 mm
	Jazz/8	1350 mm
Finish	Polished	
Material	Stainless steel	
Mains connection	Hidden, fixed connection.	
	Bottom right or left.	

## Accessories

8340-5 Cable and plug for connection to mains socket.



550 x 1030 mm



700 x 1030 mm

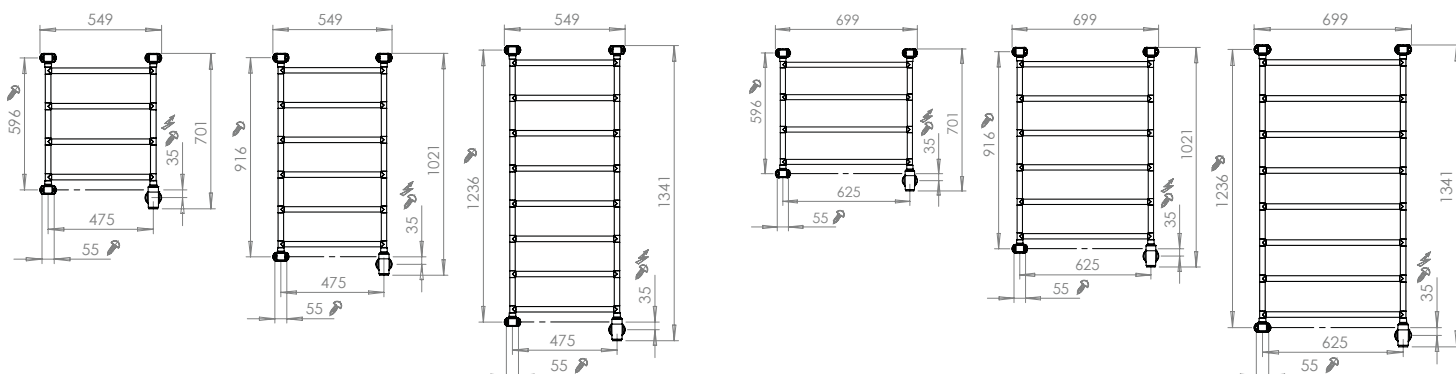


550 x 1350 mm





700 x 1350 mm

Stated dimensions may vary.  
Never drill holes in the wall  
without first checking the  
dimensions of your actual  
towel warmer.





230 V AC 50 Hz, Class II (double-insulated, earthing not required) **IP44**  

Item no.	Model	Material	Output	Width, mm	Height, mm
3525-1	Jazz 4/550, Momento II™	Stainless steel	40 W	550	710
3525-2	Jazz 6/550, Momento II™	Stainless steel	65 W	550	1030
3525-3	Jazz 8/550, Momento II™	Stainless steel	85 W	550	1350
3526-1	Jazz 4/700, Momento II™	Stainless steel	55 W	700	710
3526-2	Jazz 6/700, Momento II™	Stainless steel	85 W	700	1030
3526-3	Jazz 8/700, Momento II™	Stainless steel	110 W	700	1350

# Blues

– soft lines with round, curved tubes

Blues creates a soft look with its round curved tubes. Choose from two widths and three different heights. Blues is delivered complete with mains connection and Momento II™ located on the bottom right.

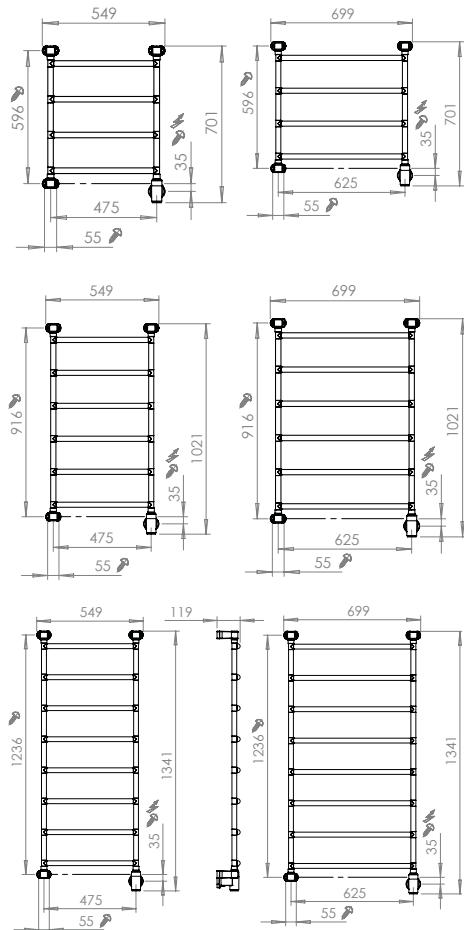
## Electric towel warmer

Heat type	Electric heating cable.	
Power	40–110 W	
Width	550 or 700 mm	
Height	Blues/4	710 mm
	Blues/6	1030 mm
	Blues/8	1350 mm

Finish	Polished
Material	Stainless steel
Mains connection	Hidden, fixed connection. Bottom right.

## Accessories

8340-5	Cable and plug for connection to mains socket.
--------	--



550 x 710 mm



700 x 710 mm



550 x 1030 mm



700 x 1030 mm





550 x 1350 mm



700 x 1350 mm

Stated dimensions may vary. Never drill holes in the wall without first checking the dimensions of your actual towel warmer.



230 V AC 50 Hz, Class II (double-insulated, earthing not required) **IP44**  

Item no.	Model	Material	Output	Width, mm	Height, mm
3525-4	Blues 4/550, Momento II™	Stainless steel	40 W	550	710
3525-5	Blues 6/550, Momento II™	Stainless steel	65 W	550	1030
3525-6	Blues 8/550, Momento II™	Stainless steel	85 W	550	1350
3526-4	Blues 4/700, Momento II™	Stainless steel	55 W	700	710
3526-5	Blues 6/700, Momento II™	Stainless steel	85 W	700	1030
3526-6	Blues 8/700 rail, Momento II™	Stainless steel	110 W	700	1350

# Salsa

– modern with a classic look

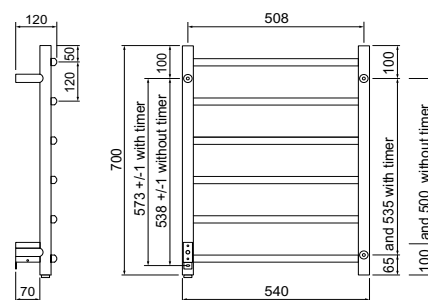
Ladder model with round tubes that are gently curved. Salsa is made from stainless steel, which makes this warmer a great-value and functional classic in a modern package.

## Electric towel warmer

Heat type	Electric heating cable.
Power	55 W
Width	540 mm
Height	700 mm
Finish	Polished or lacquered
Material	Stainless steel
Mains connection	Hidden, fixed connection. Bottom right.

## Accessories

8340-3	Cable and plug for connection to mains socket.
--------	--



View from behind.  
Stated dimensions may vary. Never drill holes in the wall without first checking the dimensions of your actual towel warmer.

Item no.	Model	Material	Output	Width, mm	Height, mm
3707-1	Salsa 540x700	Stainless steel	55 W	540	700
3708-1	Salsa 540x700, timer	Stainless steel	55 W	540	700
3709-1	Salsa timer, right, black	Stainless steel, lacquered	55 W	540	700
3709-7	Salsa timer, left, black	Stainless steel, lacquered	55 W	540	700



# Samba

– soft, high-quality design

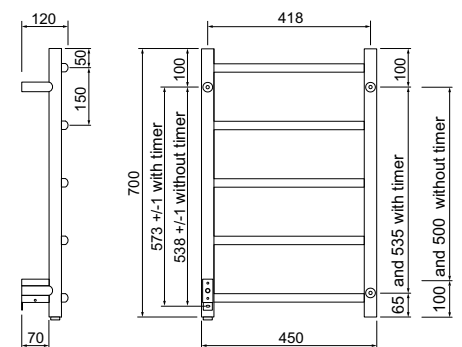
A towel warmer with a timeless appearance. The gently bowed tubes create a soft and comfortable feel. Made from stainless steel for the best quality and longevity.

## Electric towel warmer

Heat type	Electric heating cable.
Power	40 W
Width	450 mm
Height	700 mm
Finish	Polished or lacquered
Material	Stainless steel
Mains connection	Hidden, fixed connection. Bottom right.

## Accessories

8340-3	Cable and plug for connection to mains socket.
--------	--



View from behind.  
Stated dimensions may vary. Never drill holes in the wall without first checking the dimensions of your actual towel warmer.

Item no.	Model	Material	Output	Width, mm	Height, mm
3707-2	Samba 450x700	Stainless steel	40 W	450	700
3708-2	Samba 450x700, timer	Stainless steel	40 W	450	700
3709-2	Samba timer, right, black	Stainless steel lacquered	40 W	450	700
3709-8	Samba timer, left, black	Stainless steel, lacquered	40 W	450	700

# Mambo

– design with space for large towels

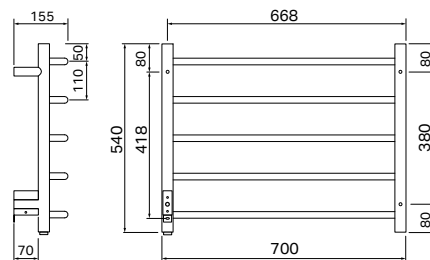
Mambo is a towel warmer with round, gently curved tubes. Mambo is made of stainless steel in a wider format, which means that there is room for even the largest towels to dry quickly.

### Electric towel warmer

Heat type Electric heating cable.  
 Power 50 W  
 Width 700 mm  
 Height 540 mm  
 Finish Polished gloss  
 Material Stainless steel  
 Mains connection Hidden, fixed connection. Bottom right.

### Accessories

8340-3 Cable and plug for connection to mains socket.



View from behind.  
 Stated dimensions may vary. Never drill holes in the wall without first checking the dimensions of your actual towel warmer.



Item no.	Model	Material	Output	Width, mm	Height, mm
3707-4	Mambo 700×540	Stainless steel	50 W	700	540

230 V AC 50 Hz, Class I (earthing required). IP44

# Tango

– design with straight lines

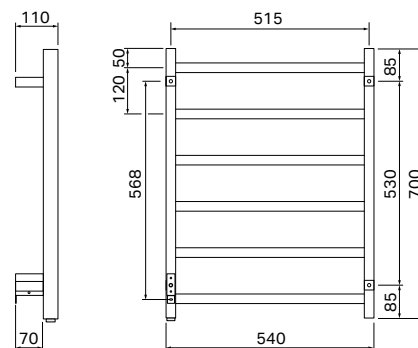
A timeless classic with an unmistakable look, with its high-quality square polished stainless steel tubes. The generous distance between the square tubes makes it easy to hang towels up so they dry freely.

### Electric towel warmer

Heat type Electric heating cable.  
 Power 50 W  
 Width 540 mm  
 Height 700 mm  
 Finish Polished gloss  
 Material Stainless steel  
 Mains connection Hidden, fixed connection. Bottom right.

### Accessories

8340-3 Cable and plug for connection to mains socket.



View from behind.  
 Stated dimensions may vary. Never drill holes in the wall without first checking the dimensions of your actual towel warmer.



Item no.	Model	Material	Output	Width, mm	Height, mm
3707-3	Tango 540×700	Stainless steel	50 W	540	700
3708-3	Tango 540×700, timer	Stainless steel	50 W	540	700

230 V AC 50 Hz, Class I (earthing required). IP44

# Practic

– fixed or pivoting,  
practical and flexible

with optional Momento II™

Practic is a great-value towel warmer with a practical construction. Thanks to its generous curves, towels hang freely, reducing drying time.

Practic is supplied with an extra wall bracket so you can decide for yourself whether you want to be able to pivot it out into the room (mounted in pivoting configuration), or whether you want to mount it in a fixed position on the wall using the extra bracket.

#### Electric towel warmer

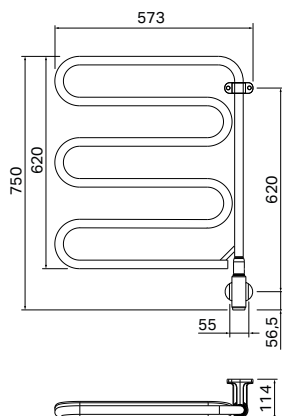
Heat type	Electric heating cable.
Power	60 W
Width	573 mm
Height	750 mm
Finish	Chrome
Material	Steel
Mains connection	Hidden, fixed connection.
Features	Fixed or foldable to 180°, extra wall bracket included for fixed installation onto wall.

#### Variants

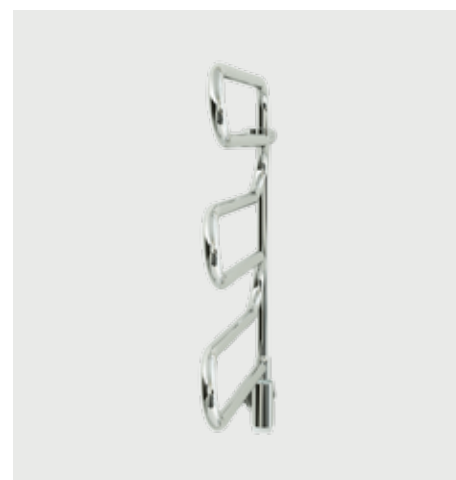
With optional Momento II™ timer.

#### Accessories

8340-5 Cable and plug for connection to mains socket.



Stated dimensions may vary. Never drill holes in the wall without first checking the dimensions of your actual towel warmer.

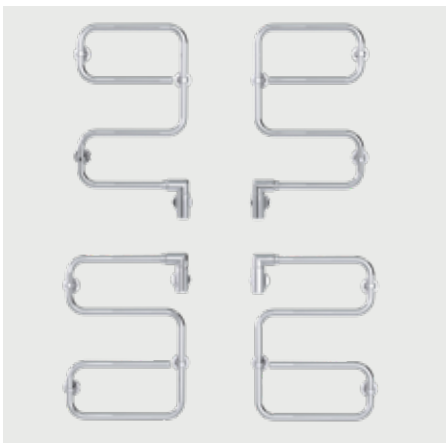


Item no.	Model	Material	Output	Width, mm	Height, mm
25-3201	Practic, fixed/pivoting	Stainless steel	60 W	573	750
25-3200	Practic, fixed/pivoting, Momento II™	Stainless steel	60 W	573	750

# TR-i

– fixed or pivoting, you decide

TR-i warmers are reversible, which gives you several options. You can decide yourself whether you want to have fixed or pivoting. For fixed installation onto the wall, mount with the extra mounting bracket supplied. These towel warmers are reversible and can be installed with the mains connection on any corner, which makes TR-i easily positionable in all environments.



### Electric towel warmer

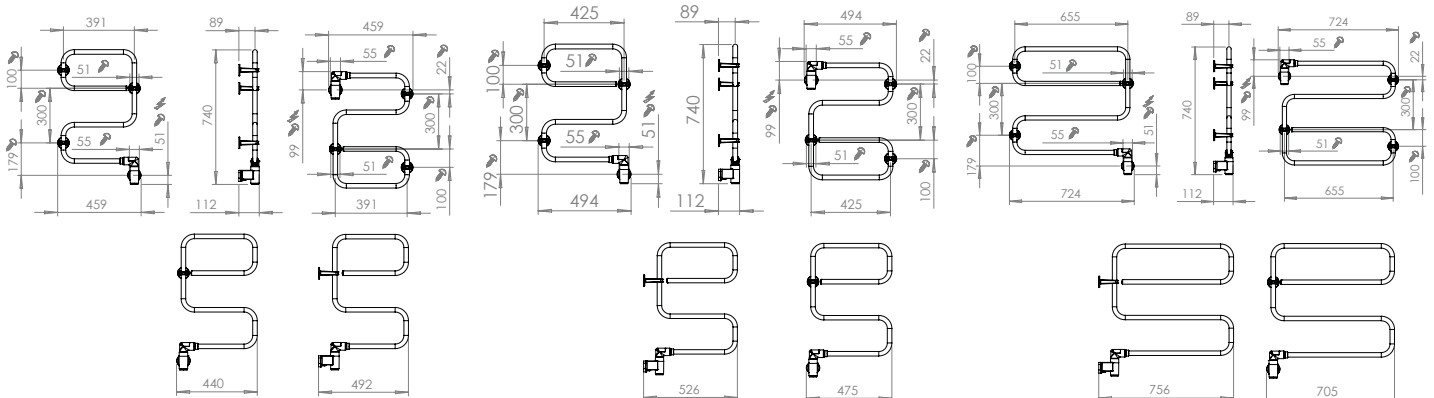
Heat type	Electric heating cable.
Power	40–60 W.
Size	TR55-i 460x750 (635) mm TR65-i 500x750 (635) mm TR85-i 730x750 (635) mm
Finish	Polished
Material	Stainless steel
Mains connection	Hidden, fixed connection. Any corner.
Features	Fixed or pivoting through 180°.

### Variants

With Momento II™ timer.

### Accessories



8340-5 Cable and plug for connection to mains socket.



Stated dimensions may vary. Never drill holes in the wall without first checking the dimensions of your actual towel warmer.



Item no.	Model	Material	Output	Width, mm	Height, mm
3517-5	TR55-i, fixed/pivoting, Momento II™	Stainless steel	40 W	460	750
3517-6	TR65-i, fixed/pivoting, Momento II™	Stainless steel	40 W	500	750
3517-8	TR85-i, fixed/pivoting, Momento II™	Stainless steel	60 W	730	750

230 V AC 50 Hz, Class II (double-insulated, earthing not required) **IP44**  



# TR

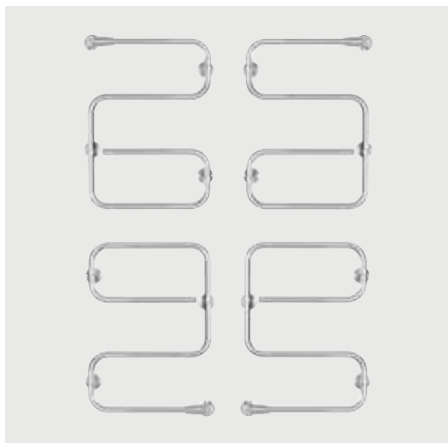
– four sizes, reversible and low energy consumption

With its classic design and curved tubes, the Pax TR is easy to use. It is available with chrome or glossy white tubes.

The rotatable and movable wall mounts lock the towel warmer onto the surface below in a unique way when you tighten the screws. The rotatable mounts also allow you to position the coupling housing on any corner.

With its low power rating (30–60 W), the Pax TR series uses up to 33 per cent less electricity than comparable competitors, without compromising on drying efficiency or heat comfort.

The TR standard series is perfect for do-it-yourself installation. They are supplied with a factory-fitted cable with plug and omnipolar switch. The TR objekt series is the professional's choice. Supplied without cable/plug for concealed connection.



## Electric towel warmer

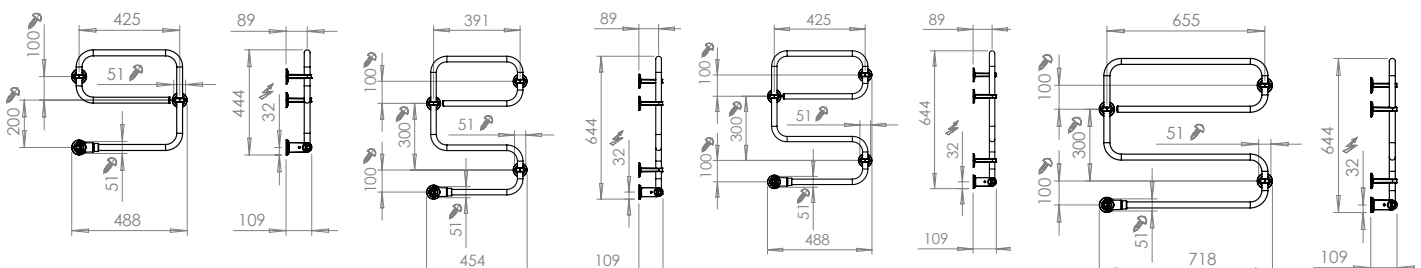
Heat type	Electric heating cable.
Power	30–60 W
Size	TR45 490 × 445 mm TR55 454 × 645 mm TR65 490 × 645 mm TR85 720 × 645 mm

Finish	Polished or lacquered
Material	Stainless steel or steel
Mains connection	Any corner.

External connection with cable and plug or concealed connection, without cable and plug.

## Accessories



8134	Power regulator for variable control of power/temperature.
------	--



Stated dimensions may vary. Never drill holes in the wall without first checking the dimensions of your actual towel warmer.



Item no.	Model	Cable/plug	Material	Output	Width, mm	Height, mm
3506-5	TR45 with cable and plug, white	Included	Steel, lacquered	30 W	490	445
3506-7	TR45 with cable and plug	Included	Stainless steel	30 W	490	445
3505-7	TR55 with cable and plug	Included	Stainless steel	40 W	454	645
3507-5	TR65 with cable and plug, white	Included	Steel, lacquered	40 W	490	645
3507-7	TR65 with cord	Included	Stainless steel	40 W	490	645
3506-8	TR45	No	Stainless steel	30 W	490	445
3501-9	TR45, white	No	Steel, lacquered	30 W	490	445
3507-9	TR65	No	Stainless steel	40 W	490	645
3504-2	TR65, white	No	Steel, lacquered	40 W	490	645
3504-9	TR85	No	Stainless steel	60 W	720	645

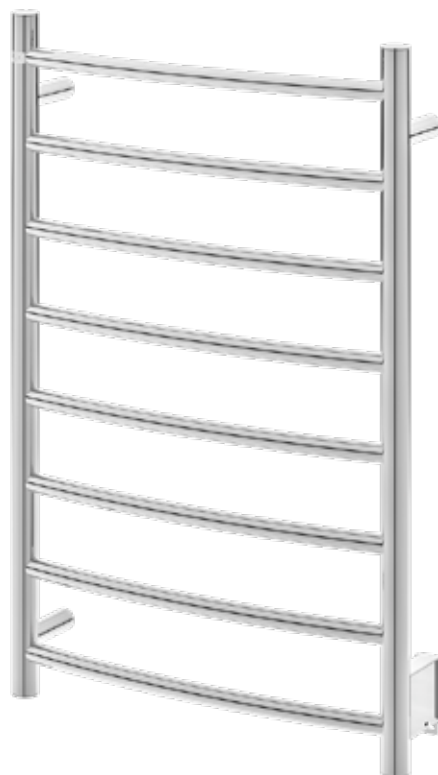
230 V AC 50 Hz, Class II (double-insulated, earthing not required). **IP44**  

# Foxtrot

– full flexibility

Foxtrot is designed to give full flexibility, choose between on/off or timer version, right or left connected. Pax Foxtrot is made of stainless steel, has protection class IP44 and is earthed. Foxtrot can be mounted with a concealed or visible connection and fits just as well for small or big renovations.

- Off and on feature
- Single timers (1-12 hours)
- Repeated timers (1-12 hours)



### Electric towel warmer

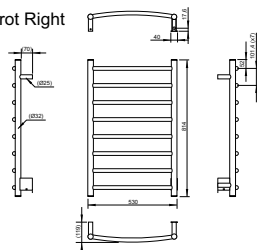
Heat type Electric heating cable  
 Power 80W  
 Width 530 mm  
 Height 810 mm  
 Finish Polished gloss  
 Material Stainless steel  
 Mains connection Hidden, fixed connection. Bottom right.

### Accessories

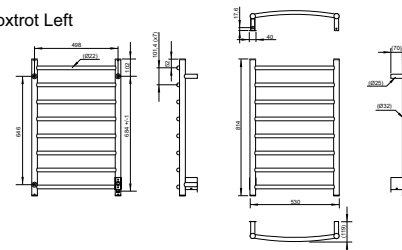
8340-3 Cable and plug for connection to mains socket.



Foxtrot Right



Foxtrot Left



Stated dimensions may vary. Never drill holes in the wall without first checking the dimensions of your actual towel warmer.

Item no.	Model	Material	Output	Width, mm	Height, mm
3707-5	Foxtrot right	Stainless steel	80 W	530	810
3707-6	Foxtrot left	Stainless steel	80 W	530	810
3708-5	Foxtrot right, timer	Stainless steel	80 W	530	810
3708-6	Foxtrot left, timer	Stainless steel	80 W	530	810





# Electric elements for combi warmers

with Memento II™ timers



Item no.	Model	Cable/plug	Output
28-1010	Electric element with Memento II™, 75 W	Accessories	75 W
28-1011	Electric element with Memento II™, 100 W	Accessories	100 W
28-1012	Electric element with Memento II™, 125 W	Accessories	125 W
28-1013	Electric element with Memento II™, 150 W	Accessories	150 W
28-1014	Electric element with Memento II™, 175 W	Accessories	175 W
28-1016	Electric element with Memento II™, 225 W	Accessories	225 W
28-1017	Electric element with Memento II™, 250 W	Accessories	250 W

230 V AC 50 Hz, Class II (double-insulated, earthing not required) **IP44**  

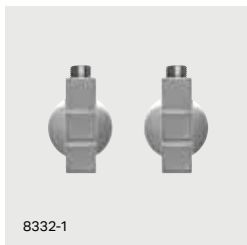
Note IP ratings only apply to Pax electric elements and Pax combi warmers for the appropriate power rating for the model and size according to Pax.

## Accessories



Item no.	Model
8340-3	Cable rack with cable (1.5 m) and earthed plug. For Samba, Salsa, Mambo, Tango and Foxtrot.
8340-5	Unearthed cable rack, Memento II™

## Radiator valves for combi warmers



Item no.	Model	Material	Single/double pipe system	Connection point
29-1051	RFA 75-400 radiator valve with knob	Brass	Both single and double	15 mm copper
8332-1	Radiator valve, square, straight	Brass	Double only	15 mm copper
8332-3	Radiator valve, square, angled	Brass	Double only	15 mm copper
8332-5	Radiator valve, round, straight	Brass	Both single and double	15 mm copper
8332-9	Radiator valve, corner	Brass	Double only	15 mm copper
8333-2	Radiator valve, cylinder	Brass	Double only	15 mm copper
8333-4	Radiator valve, minimal cross	Brass	Double only	15 mm copper



---

# FAQs: the dry facts

## Some common questions to our customer support

---

### 1. Can I install my towel warmer myself?

If your towel warmer has a factory-fitted plug, you can install it yourself, outside of area 1 (see general building regulations).

If your towel warmer has a concealed connection or central heating connection, it should always be installed by a qualified installer.

We recommend that you always consult a qualified installer first to find out what type of installation is appropriate.

### 2. What type of towel warmer is right for me?

If you only want to use your towel warmer to dry and warm towels and clothes, an electric towel warmer is ideal. You can choose from the entire Pax range.

If you want to use your towel warmer instead of a radiator to heat a room, we recommend a combination electric and central heating towel warmer. Find out first how much heat the towel warmer needs to replace to calculate your heat needs, and then choose a towel warmer that is the right size for you.

### 3. Can I install my towel warmer upside down?

No. Our products are made to be installed in a specific way. If you install the product in the wrong direction, it is highly likely that it will not function as intended. Always ask a qualified installer if you are unsure.

### 4. What are CC dimensions?

CC dimensions refers to the centre-to-centre dimensions of the distance between the connection pipes and the screw holes.

### 5. What does combined central heating and electric mean?

If you have a central heating towel warmer, you can connect it to your central heating system with a radiator valve. However, it is always a good idea to add an electric element so that you can have the towel warmer on even in the summer when the heating in your house is usually turned off. In the summer, towel warmers are vital

as the high humidity level makes clothes and towels dry slowly. This increases the risk of mildew and bacterial growth.

### 6. How much water do I need to fill my towel warmer with when installing?

Fill the water until the upper horizontal rail is half-filled with water. Note that if the water level is too low this may affect the electric element, and if the water level is too high, this will not leave sufficient space for the water to expand\* during heating, so make sure you fill your warmer correctly.

Always ask a qualified installer if you are unsure.

\* Water expands when heated. Leave the air valve open the first time you heat up your towel warmer to its maximum temperature (approx. 60–65°C). Close the valve when the warmer has reached its maximum temperature.

### 7. What is an open-vented system?

An open-vented system circulates heated tap water.

This type of system is found almost exclusively in multiple-occupancy homes. Pax observes water industry regulations and does not advocate the installation of towel warmers in open-vented systems, among other reasons due to the risk of growth of legionella bacteria.

### 8. What happens to my product in the event of a power cut?

If you have a timer that was not set using the app, it will be cleared after a power cut. If the timer has been set using the app, it will be kept, but the Momento II™ will lose the correct time, which is indicated by a slow-flashing red light. To reset the clock, simply connect to the app and retrieve the correct time. Products without timers are simply on or off.

### 9. Why should I choose Momento II™?

If you use the Pax Wireless app, you can configure up to 20 individual timers per week, and you can adjust the power via the app to anything between 20 and 100 per cent. Through the app, you can also pair your Momento II™ with a Pax Calima bathroom fan so your towel warmer is activated when the humidity level

increases. This feature does not affect other features/timers.

### 10. What are IP ratings?

When you install an electrical appliance in a bathroom or other room with wet equipment, you must take into account IP (Ingress Protection) ratings.

Every electrical appliance is marked with an IP rating which indicates its level of protection against water and dust. Wet areas are divided into three IP zones which each have a different minimum IP rating requirement.

A qualified installer is the only person to determine where in the wet area installation is safe.

### 11. What should I consider when choosing radiator valves?

Pax combi warmers are pressure tested up to 10 Bar, our models are designed and manufactured to be installed in a closed heating system. Do not use our combi warmers in hot water tap systems.

Work out whether you have the option to install your combi warmer with concealed pipes in the wall, or whether you will need external radiator pipes. The next important step is to decide whether you want to run your combi warmer solely on closed heating system or combined with an electric element. We recommend combined for guaranteed comfort all year round, even when your central heating is turned off for the summer.

### 12. What does CE and S marking mean?

CE marking is a legal requirement within the EU. By CE marking its product, the manufacturer certifies that the product complies with the safety requirements applicable within the EU.

The S mark is a voluntary certification.

With an S mark, the manufacturer is informing the customer that the product has been tested and approved by Intertek.

Intertek is an independent testing laboratory that tests products to determine whether they meet safety requirements, including for electrical safety, fire protection and mechanical injury risks.

## Five-year warranty – we believe in our high quality



Pax has high standards when it comes to quality. We think you do too. That's why we give you a five-year warranty on all our towel warmers. The warranty entitles you to report faults and defects for up to five years from the date of purchase.

The terms of the warranty require that the product is installed and mounted according to the instructions provided, and that the way it is used does not violate our maintenance instructions.

The warranty does not cover any damage resulting from improper handling,

installation or cases of indirect damage. Repairs performed without our permission during the warranty period are not covered by the warranty.

We believe in our high quality. In partnership with our suppliers, we carry out strict quality control checks and rigorous testing at our factory. After this, we quality-check our components in our own quality department before we decide whether they live up to the high Pax standard.

## Dry towels – this is our mission



Pax is a Swedish brand based in Hälleforsnäs in Södermanland. This is where we design, produce and install our products.

Pax's basic idea when it comes to product development has always been to create products with both design and functionality in mind. A good example of this is Momento II™, our unique timer which allows you to save up to 75 per cent on energy consumption without compromising on comfort.

From the outset, Pax has strived to produce and develop products with consideration for the environment. We have minimised the use of chrome-coated plastic, as this cannot be recycled. We are also trying to increase the proportion of our products that use stainless steel, as it has a lower overall environmental impact than Stainless steel.

All co-workers at Pax has a passion for our heritage, and we are constantly striving to challenge ourselves to create new, inspired products.

# Pax – innovating every day since 1945

---

After the Second World War, the world was reset. It went from suffering and ruin to peace and hope for the future. Sweden put all its energy into growth and development, a situation that was perfect for inventor and entrepreneur Folke Andersson from Eskilstuna. The same year the war ended, he founded Pax and started producing extractor fans for kitchens. The meaning of the company's name is far from coincidental: Pax is the Latin word for "peace".

Wealth continued to grow in Sweden, and people developed new habits. People started showering, for example, and taking long, frequent baths. Natural bathroom ventilation was no longer enough. Folke Andersson, who had by then moved offices and production to the town of Hälleforsnäs in Sörmland, saw a solution, and Pax launched Sweden's first extractor fan made and approved for wetrooms.

Every year, Pax sells almost 100,000 wetroom fans. Since Folke Andersson

founded the company, around three million Pax fans have been sold, contributing to better air in the home.

Today, Pax is so much more than a fan brand. Through development and acquisitions, Pax's range has been broadened with towel warmers and radiators. This means that Pax draws power from three roots.

Pax is part of Volution Sweden's strong brand portfolio.

Every day, we endeavour to continue Folke Andersson's innovation. Our range now includes a full breadth of heat and ventilation products which all contribute to a sustainable, modern and healthy environment at home.



For a better  
environment  
at home.